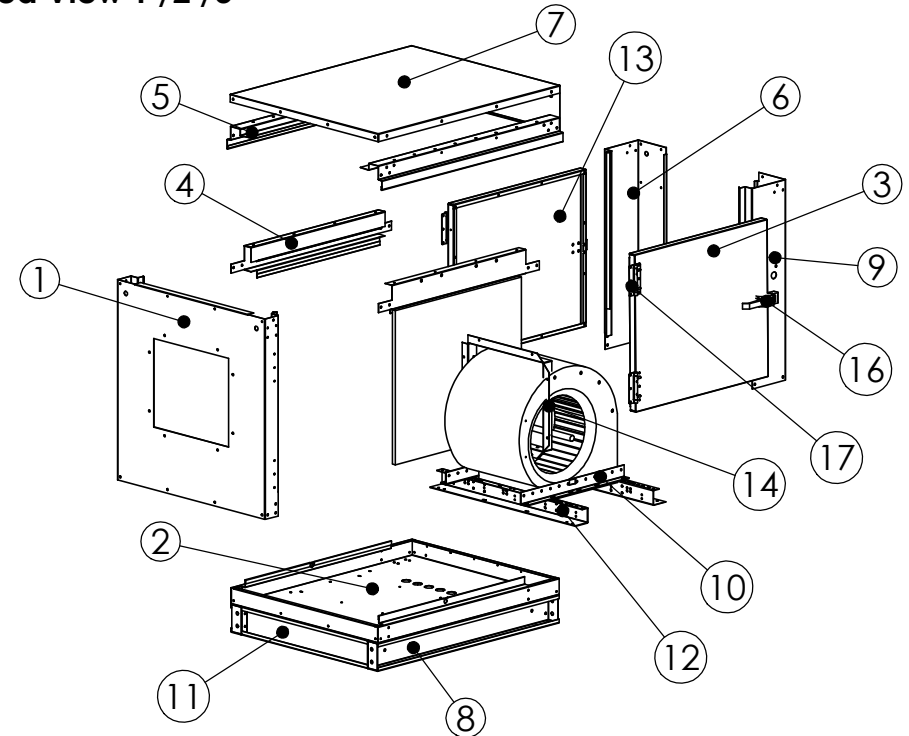
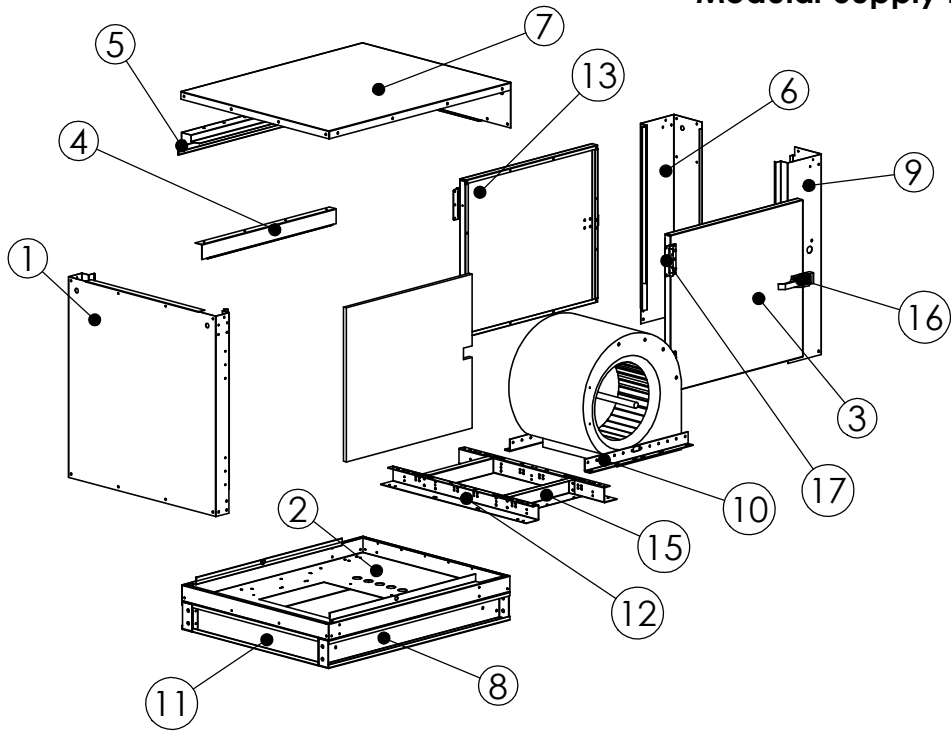


AHU
EXPLODED
VIEWS FOR
SUPPLY
7/31/2019

Modular Supply Exploded View 1 / 2 / 3

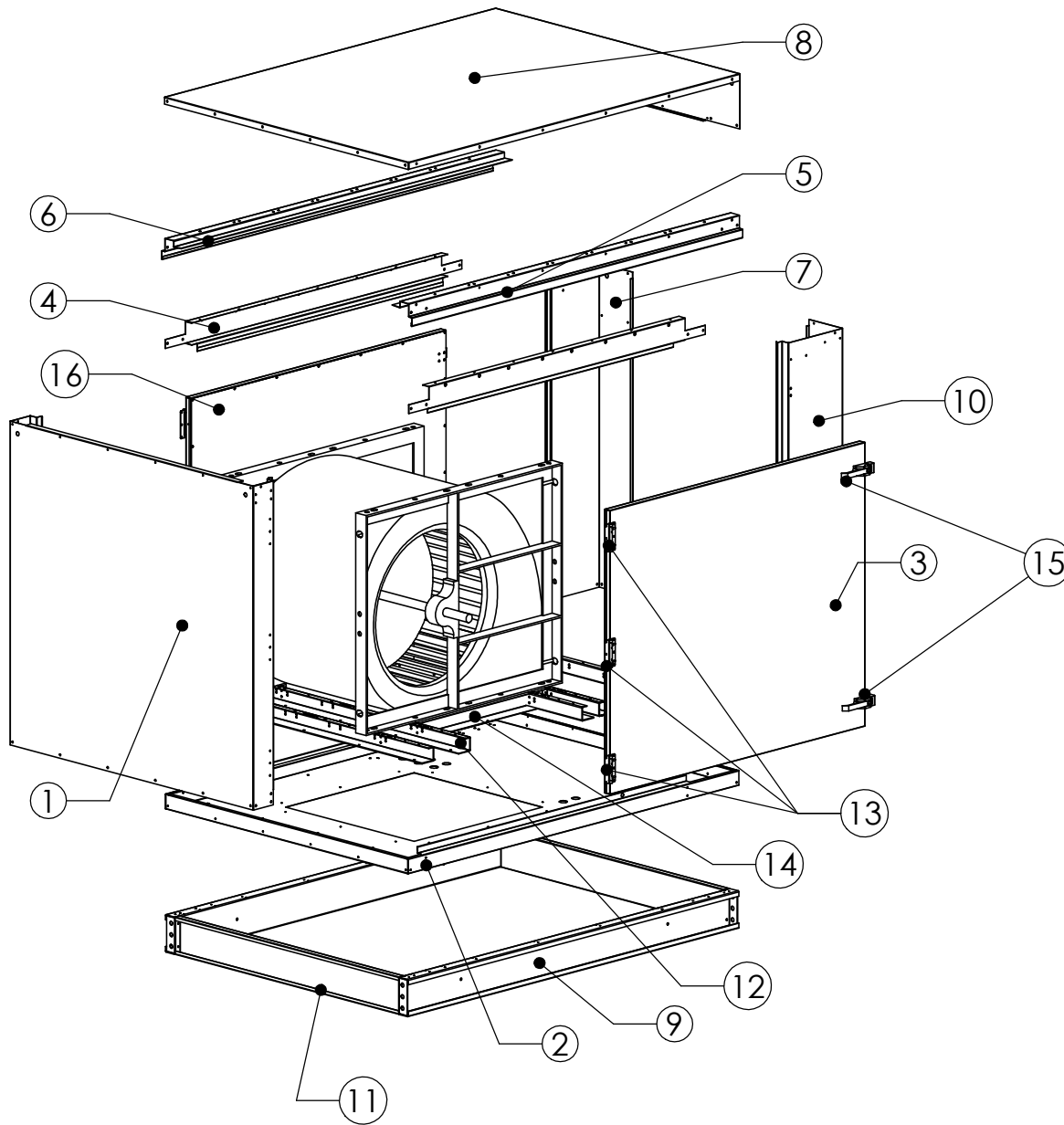


#	Part Name	Blower Size and Orientation										
		G10 Down	G10 Side	Qty	G12 Down	G12 Side	G15 Down	G15 Side	Qty	G18 Down	G18 Side	Qty
1	Back	B1DDBKH	B1SDBKH	1	B2DDBKH	B2SDBKH	B2DDBKH	B2SDBKH	1	B3DDBKH	B3SDBKH	1
2	Bottom	B1DDBTH	B1SDBTH	1	B2DDBTH	B2SDBTH	B2DDBTH	B2SDBTH	1	B3DDBTH	B3SDBTH	1
3	Right Door Hinged	B1DOORRH		1	B2DOORRH				1	B3DOORRH		1
4	Door Support	B1TDSH		2	B2TDSH				2	B3TDSH		2
5	Drip Rail	B1DPRL		2	B2DPRL				2	B3DPRL		2
6	Left Front Post	B1LTFPH		1	B2LTFPH				1	B3LTFPH		1
7	Lid	B1DDLIDS		1	B2LIDD				1	B3LIDD		1
8	Main Rail	ME12MR		2	B2MNRL				2	B3MNRL		2
9	Right Front Post	B1RTFPH		1	B2RTFPH				1	B3RTFPH		1
10	Blower Brace	B1BLBC		2	B2BLBC				2	B3BLBC		2
11	End Flashing	M1EFLS		2	M2EFLS				2	M3EFLS		2
12	Horizontal Support	M1HSUP		2	M2HSUP				2	M3HSUP		3
13	Left Door Hinged	B1DOORLH		1	B2DOORLH				1	B3DOORLH		1
14	Blower Collar	N/A	B1G10COL	1	N/A	B2G12COL	N/A	B2G15COL	1	N/A	B3G18COL	1
15	Blower Discharge Cap	B1G10DCP	N/A	2	B2G12DCP	N/A	B2G15DCP	N/A	2	B3G18DCP	N/A	2
Motor Mounting Hardware	Motor Platform	G10BRACKET		1	G12BRACKET		G15BRACKET		1	G18BRACKET		1
	Scroll Plate Angle	SCROLL PLATE		2	SCROLL PLATE				2	SCROLL PLATE		2
	Direct Drive Bracket	B1DDMM		2	N/A				N/A	N/A		N/A
16	Door Latches	A7-10-351-20		2	A7-10-351-20				4	A7-10-351-20		4
17	Door Hinges	HG-OTA100		4	HG-OTA100				4	HG-OTA100		4

NOTES:

- 1) All model use 4 of MLIFTL lifting lugs.
- 2) Right Front Post has multiple configurations for various disconnect switches.
(RD) Rotary Disconnect
(NS) No Switch
- 3) Disconnect switch is dependent on motor load.
- 4) L1VIB vibration isolator used on G series blowers.

Modular Supply Exploded View 4 / 5 Down Discharge

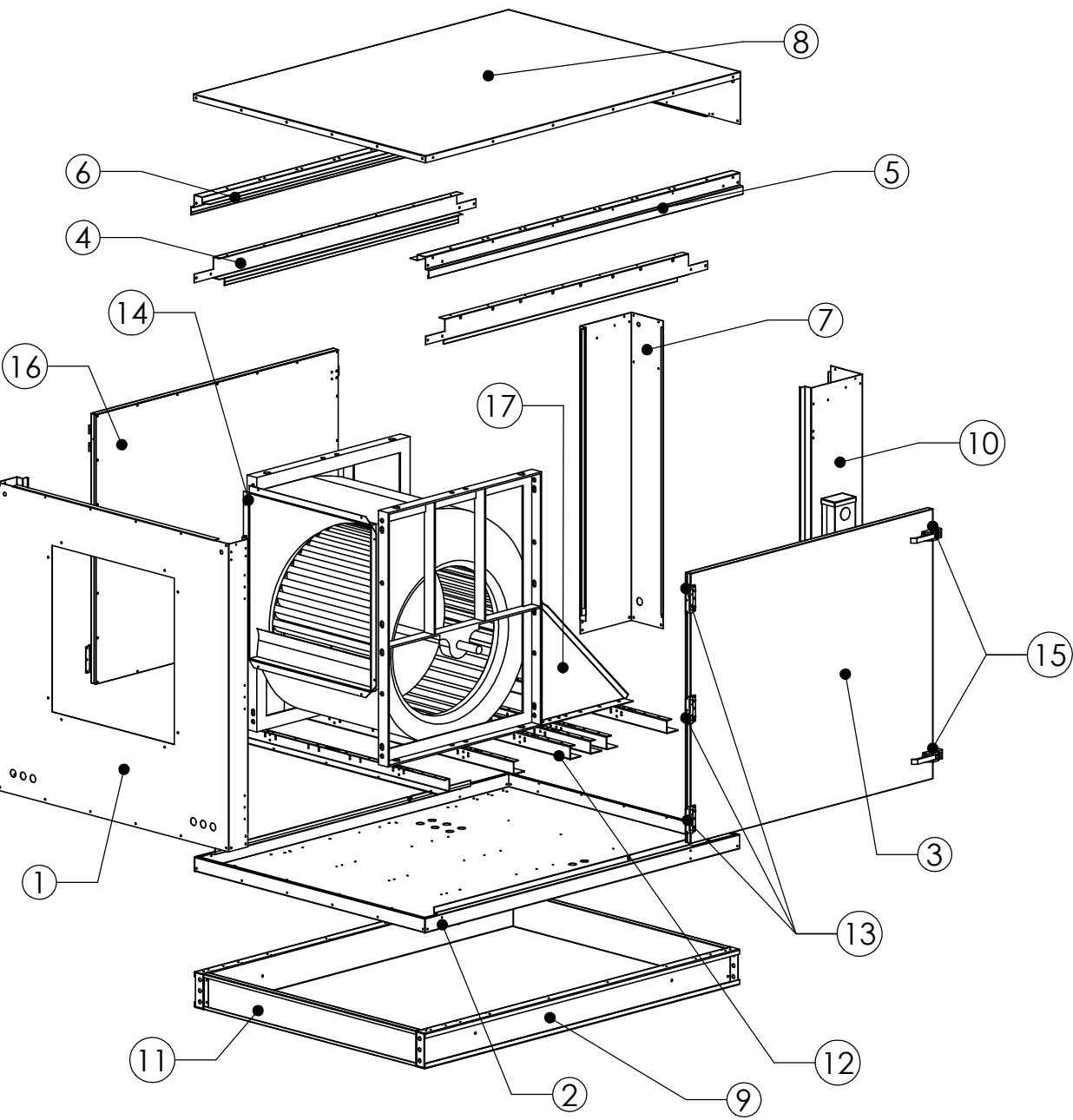


NOTES:

- 1) 925 models have a 3 piece bottom. Parts B5BSIDFH & B5BSIDBH attach to the sides of the 925 bottom.
- 2) All model use 4 of MLIFTL lifting lugs.
- 3) Right Front Post has multiple configurations for various disconnect switches.
(RD) for rotary disconnect
(NS) for no switch
- 4) Disconnect switch is dependent on motor load.
- 5) L1VIB vibration isolator used on G Series blowers.
- 6) 800113 isolators used on 900 series blowers.

AHU 4 & 5 Down Discharge					
#	Part Name	920 Down	Qty	925 Down	Qty
1	Back	B4DDBKH	1	B5DDBKH	1
2	Bottom	B4DDBTH	1	B5DDBT	1
3	Right Door	B4DOORRH	1	B5DOORRH	2
Not Shown	Door Liner Right	B4DORLH	1	B5DORRLH	2
4	Door Support	B4TDSH	2	B5TDSH	2
5	Drip Rail Front	B4DPRLH	1	B5DPRLFH	1
6	Drip Rail Back	B4DPRLH	1	B5DPRLBH	1
7	Left Front Post	B4LTFPH	1	B5LTFPH	1
8	Lid	B4LIDD	1	B5LIDD	1
Not Shown	Lid Support	M4LSUP	1	M5LSUP	1
9	Main Rail	B4MNRL	2	B5MNRL	2
10	Right Front Post	B4RTFPH	1	B5RTFPH	1
11	End Flashing	M4EFLS	2	M5EFLS	2
12	Horizontal Support	M4HSUP	2	M5HSUP	2
13	Door Hinges	HG-OTA100	6	HG-OTA100	12
14	Blower Discharge Cap	B4920DCP	2	B5925DCP	2
15	Door Latch	A7-10-351-20	4	A7-10-351-20	4
16	Left Door	B4DOORLH	1	B5DOORLH	2
Not Shown	Door Liner Left	B4DORLH	1	B5DORLLH	2
Motor Mounting Hardware	Motor Platform	8721	1	8723	1

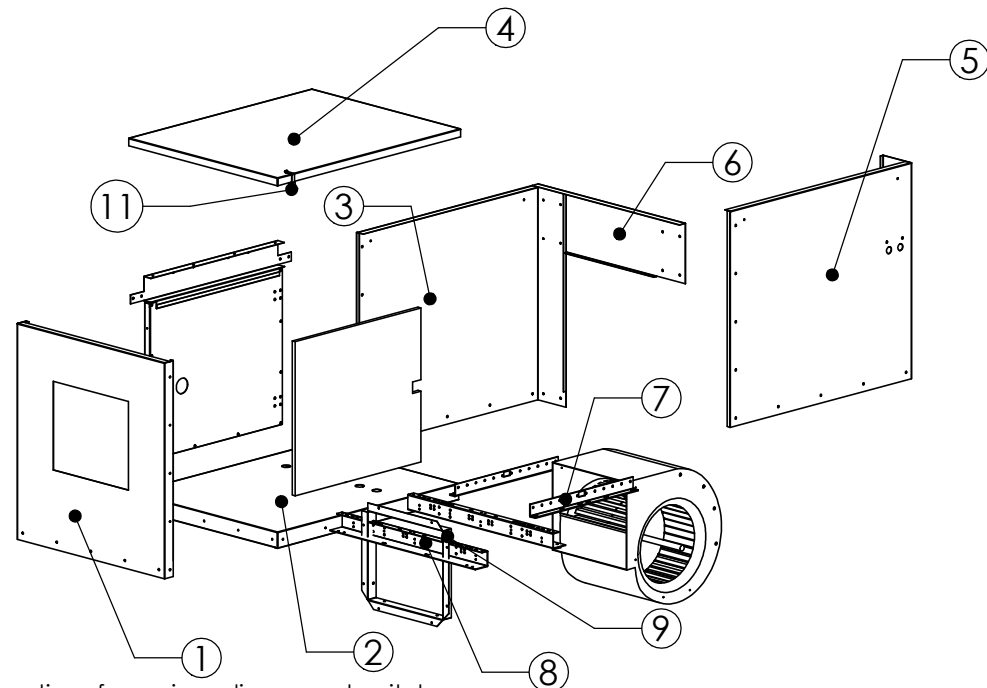
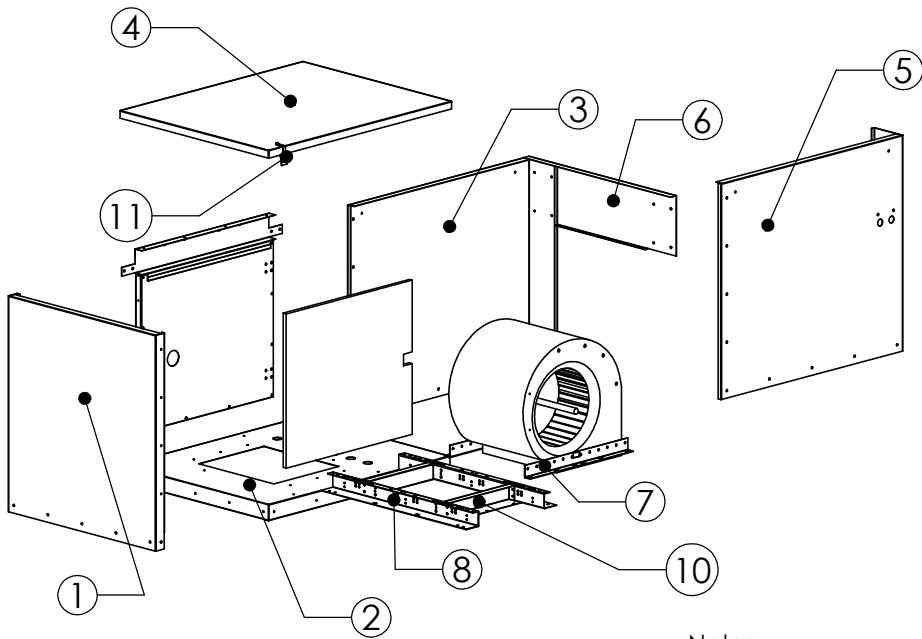
Modular Supply Exploded View 4 / 5 Side Discharge



- NOTES:
- 1) 925 models have a 3 piece bottom. Parts B5BSIDFH & B5BSIDBH attach to the sides of the 925 bottom.
 - 2) All model use 4 of MLIFTL lifting lugs.
 - 3) Right Front Post has multiple configurations for various disconnect switches.
(RD) for rotary disconnect
(NS) for no switch
 - 4) Disconnect switch is dependent on motor load.
 - 5) L1VIB vibration isolator used on G Series blowers.
 - 6) 800113 isolators used on 900 series blowers.

AHU 4 & 5 Side Discharge					
#	Part Name	920 Side	Qty	925 Side	Qty
1	Back	B4SDBKH	1	B5SDBKH	1
2	Bottom	B4SDBTH	1	B5SDBT	1
3	Right Door	B4DOORRH	1	B5DOORRH	2
Not Shown	Door Liner Right	B4DORLH	1	B5DORRLH	2
4	Door Support	B4TDSH	2	B5TDSH	2
5	Drip Rail Front	B4DPRLH	1	B5DPRLFH	1
6	Drip Rail Back	B4DPRLH	1	B5DPRLBH	1
7	Left Front Post	B4LTFFPH	1	B5LTFFPH	1
8	Lid	B4LIDD	1	B5LIDD	1
Not Shown	Lid Support	M4LSUP	1	M5LSUP	1
9	Main Rail	B4MNRL	2	B5MNRL	2
10	Right Front Post	B4RTFFPH	1	B5RTFFPH	1
11	End Flashing	M4EFLS	2	M5EFLS	2
12	Horizontal Support	M4HSUP	6	M5HSUP	6
13	Door Hinges	HG-OTA100	6	HG-OTA100	12
14	Blower Collar	B4920COL	1	B5925COL	2
15	Door Handle	A7-10-351-20	4	A7-10-351-20	4
16	Left Door	B4DOORLH	1	B5DOORLH	2
Not Shown	Door Liner Left	B4DORLH	1	B5DORLLH	2
Motor Mounting Hardware	Motor Platform	8721	1	8723	1
17	Gusset	B45BMG	2	B45BMG	2

Standard Supply Exploded View



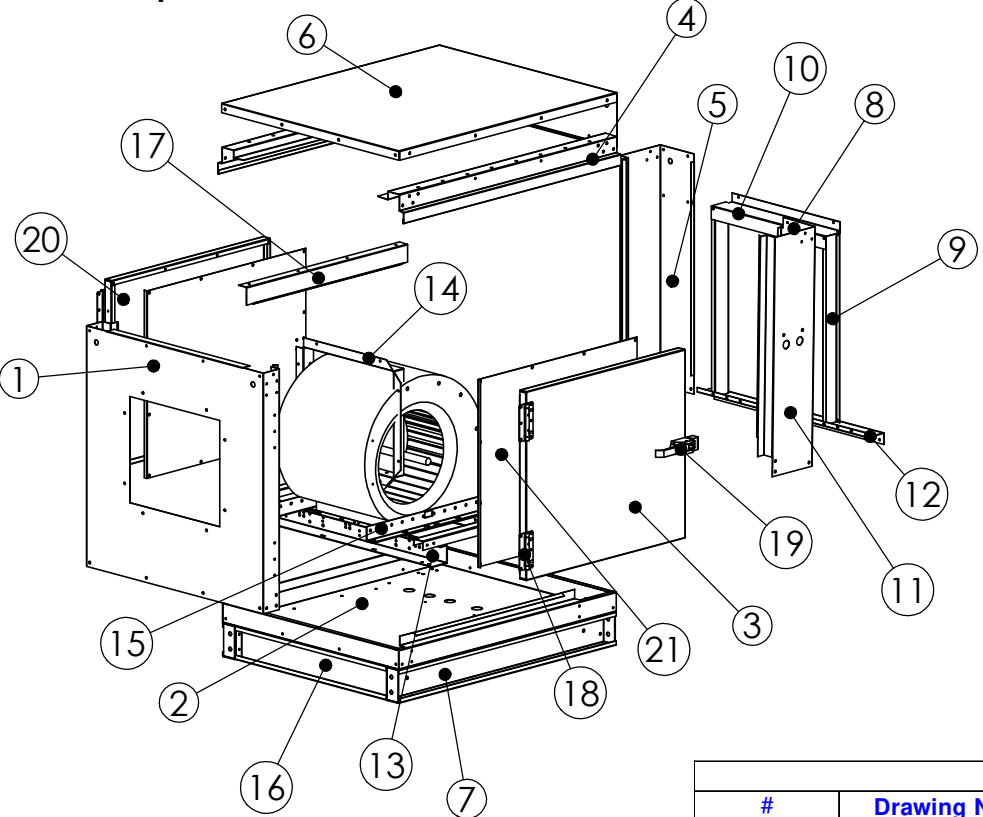
Notes:

- 2) Right side has multiple configurations for various disconnect switches.
(RD) for rotary disconnect
(NS) for no switch
- 3) Disconnect switch is dependent on motor load.
- 4) L1VIB vibration isolator used on G Series blowers.

Blower Size and Orientation

#	Part Name	Quantity	G10 Down	G10 Side	G12 Down	G12 Side	G15 Down	G15 Side
1	Back	1	B1DDBA	B10SBA	B2DDBA	B22SBA	B2DDBA	B25SBA
2	Bottom	1	B10DBO	B1SDBO	B22DBO	B2SDBO	B25DBO	B2SDBO
3	Left Side	1	B1LTSD		B2LTSD			
4	Lid	1	B1LID1		B2LID1			
5	Right Side	1	B1RTSD		B2RTSD			
6	Top Brace	1	B1TPBR		B2TPBR			
7	Blower Brace	2	B1BLBC		B2BLBC			
8	Horizontal Support	2	M1HSUP		M2HSUP			
9	Blower Collar	1	N/A	B1G10COL	N/A	B2G12COL	N/A	B3G18COL
10	Blower Discharge Cap	2	B1G10DCP	N/A	B2G12DCP	N/A	B2G15DCP	N/A
11	Ludwig Clips	4	A-41					
Motor Mounting Hardware	Motor Brackets	1	G10BRACKET		G12BRACKET		G15BRACKET	
	Scroll Plate Angle	2	SCROLLPLATE					
	Direct Drive Bracket	2	B1DDMM		N/A			

INLINE Exploded View

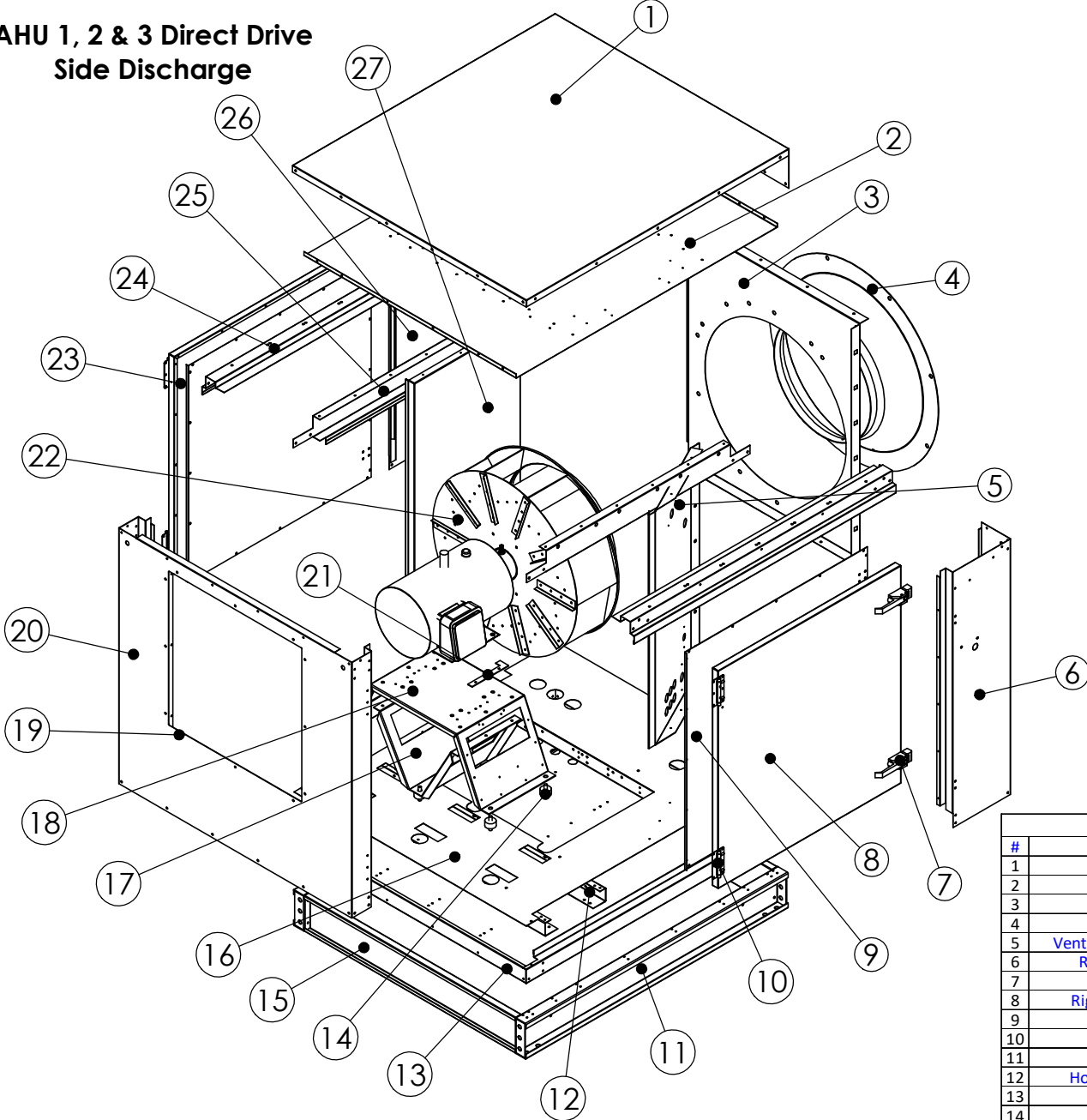


Revision History				
#	Description	Revised by	ECN#	Date
1	Add Filter Information	AJK	2163	10/8/10
2	Added Brackets	AJK	2261	7/11/11
3	Added Door Handles	JJH	2594	2/27/13
4	Update Inline LP Instructions	JJH		3/30/15
5	Updates for Hinged Doors	PEM	2795	11/8/16

- Notes:
 1) Lifting Lugs = M1LIFTL (4 Required)
 2) Right Front Post has multiple configurations for various disconnect switches.
 (RD) for rotary disconnect
 (NS) for no switch
 3) Disconnect switch is dependent on motor load.
 4) L1VIB vibration isolator used on G Series blowers.
 5) All Units are insulated.

AHU 1-3 Inline									
#	Drawing Name	G10 Side LP	G10 Side	Qty	G12 Side	G15 Side	Qty	G18 Side	Qty
1	Back	B10SLP	B1SDBKH	1	B22SDBKH	B2SDBKH	1	B3SDBKH	1
2	Bottom	B1SDBT	B1SDBTH	1	B2SDBTH	B2SDBTH	1	B3SDBTH	1
3	Right Door	B1DOLP	B1DOORRH	1	B2DOORRH		1	B3DOORRH	1
4	Drip Rail	B1DPRL		2	B2DPRL		2	B3DPRL	
5	Left Front Post	B1LPLP	B1LTFPH	1	B2LTFPH		1	B3LTFPH	
6	Lid	B1LDLP	B1DDLIDS	1	B2LIDD		1	B3LIDD	
7	Main Rail	N/A	ME12MR	2	B2MNRL		2	B3MNRL	
8	Filter Stop	N/A		N/A	B2NFSP		1	B3NFSP	
9	Filter Side	B1NSID		2	B2NSID		2	N/A	
10	Filter Top	B1NLTP	B1NTOP	1	B2NTOP		1	B3NTOP	
11	Right Front Post	B1RPLP	B1RTFPH	1	B2RTFPH		1	B3RTFP	
12	Filter Bottom	M12IBOT		1	M12IBOT		1	B3NBOT	
Not Shown	Door Hook	B1DRHK	N/A	2	N/A		N/A	N/A	
13	Horizontal Support	M1HSUP		2	M2HSUP		2	M3HSUP	
14	Blower Collar	B1G10COL		1	B2G12COL	B2G15COL	1	B3G18COL	
15	Blower Brace	B1BLBC		2	B2BLBC		2	B3BLBC	
16	End Flashing	N/A	M1EFLS	2	M2EFLS		2	M3EFLS	
17	Door Support	B1DRSP	B1TDSH	2	B2TDSH		2	B3TDSH	
Not Shown	Door Handle	P-50-1010	N/A	2	N/A		N/A	N/A	
Motor Mounting Hardware	Motor Platform	G10BRACKET		1	G12BRACKET	G15BRACKET	1	G18BRACKET	
	Scroll Plate Angle	SCROLLPLATE		2	SCROLLPLATE		2	SCROLLPLATE	
	Direct Drive Bracket	B1DDMM		2	N/A		N/A	N/A	
18	Door Hinges	N/A	HG-OTA100	4	HG-OTA100		4	HG-OTA100	
19	Door Latches	N/A	A7-10-351-20	2	A7-10-351-20		4	A7-10-351-20	
20	Left Door	B1DOLP	B1DOORLH	1	B2DOORLH	B2DOORLH	1	B3DOORLH	
21	Door Liner	N/A	B1DORLH	2	B2DORLH	B2DORLH	2	B3DORLH	

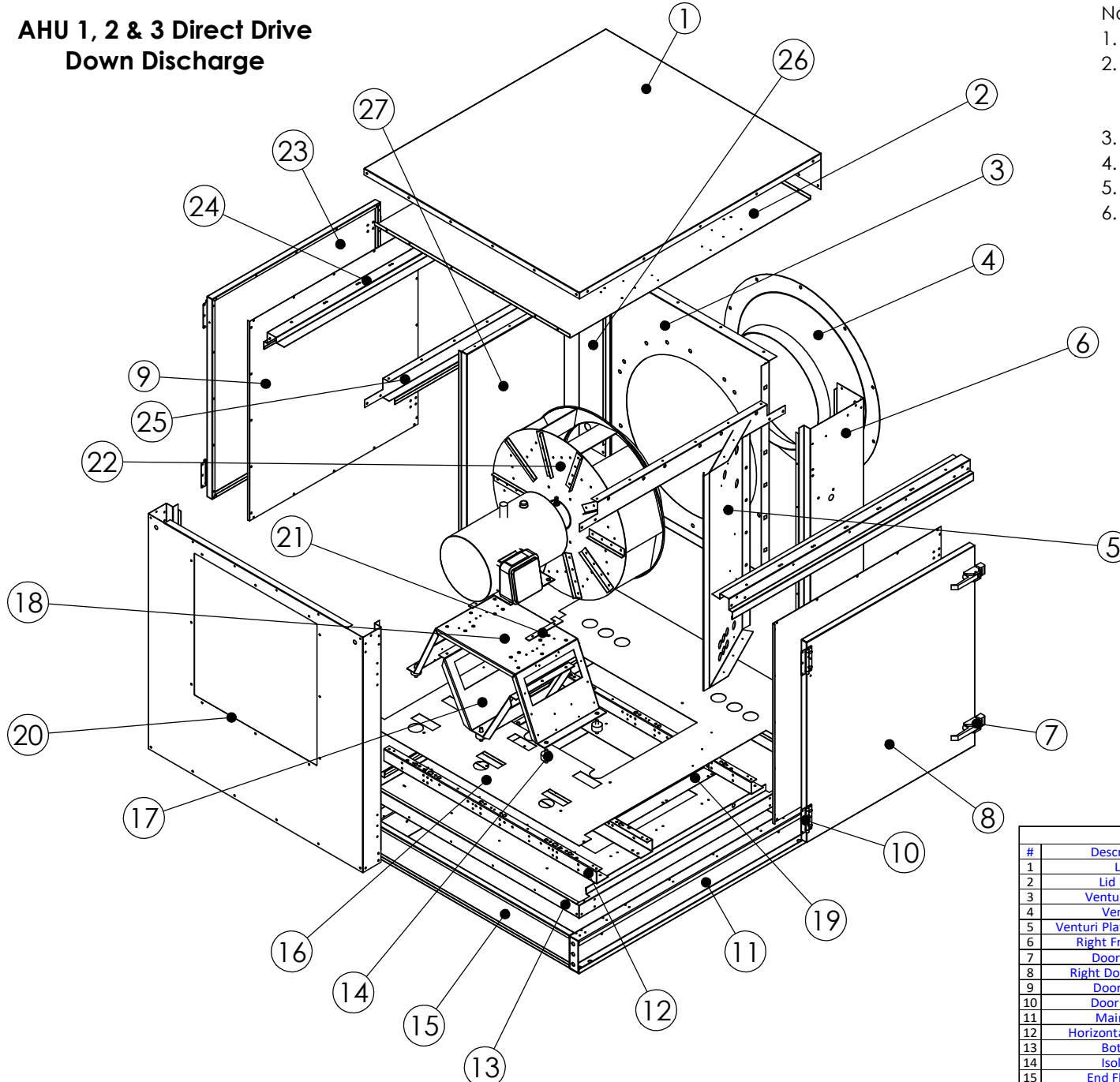
AHU 1, 2 & 3 Direct Drive Side Discharge



- Notes:
1. All models use 4 MLIFTL lifting lugs
 2. Right Front Post has multiple configurations (RD) for Rotary Disconnect (NS) for No Switch
 3. Disconnect switch is dependent on motor load
 4. Size 1 Up Discharge will use B1DDLIDSUP & B1ULLDUP
 5. Size 2 Up Discharge will use B2LIDDUP & B2ULLDUP
 6. Size 3 Up Discharge will use B3LIDDUP & B3ULLDUP

AHU 1-3 Side Discharge-Direct Drive							
#	Description	Size 1	Qty	Size 2	Qty	Size 3	Qty
1	Lid	B1DDLIDS	1	B2LIDD	1	B3LIDD	1
2	Lid Liner	B1ULLD	1	B2ULLD	1	B3ULLD	1
3	Venturi Plate	B1DDBAVP	1	B2DDBAVP	1	B3DDBAVP	1
4	Venturi	F5020015MUSBI	1	F5020020MUSBI	1	F5020024MUSBI	1
5	Venturi Plate Extension	B1VPE	1	B2VPE	1	B3VPE	1
6	Right Front Post	B1RTFPH	1	B2RTFPH	1	B3RTFPH	1
7	Door Latch	A7-10-351-20	2	A7-10-351-20	4	A7-10-351-20	4
8	Right Door Hinged	B1DOORRH	1	B2DOORRH	1	B3DOORRH	1
9	Door Liner	B1DORLH	2	B2DORLH	2	B3DORLH	2
10	Door Hinge	HG-OTA100	4	HG-OTA100	4	HG-OTA100	4
11	Main Rail	ME12MR	2	B2MNRL	2	B3MNRL	2
12	Horizontal Support	M1HSUP	3	M2HSUP	3	M3HSUP	3
13	Bottom	B1SDBTH	1	B2SDBTH	1	B3SDBTH	1
14	Isolator	800113-D80	6	800113-D80	6	800113-D80	6
15	End Flashing	M1EFLS	2	M2EFLS	2	M3EFLS	2
16	Bottom Liner	B1DDDDL	1	B2DDDDL	1	B3DDDDL	1
17	Motor Mount Support	B1DDMMS	1	B2DDMMS	1	B3DDMMS	1
18	Motor Mount	B1DDMM	1	B2DDMM	1	B3DDMM	1
19	Discharge Collar	B1DDC	1	B2DDC	1	B3DDC	1
20	Back	B1SDBKHDD	1	B2SDBKHDD	1	B3SDBKHDD	1
21	Motor Positioning Plate	BMPP	2	BMPP	2	BMPP	2
22	Fan	Varies	1	Varies	1	Varies	1
23	Left Door Hinged	B1DOORLH	1	B2DOORLH	1	B3DOORLH	1
24	Drip Rail	B1DPRL	2	B2DPRL	2	B3DPRL	2
25	Top Door Support Hinged	B1TDSH	2	B2TDSH	2	B3TDSH	2
26	Left Front Post	B1LTFPH	1	B2LTFPH	1	B3LTFPH	1
27	Wheel Guard	B1DDWG	1	B2DDWG	1	B3DDWG	1

AHU 1, 2 & 3 Direct Drive Down Discharge

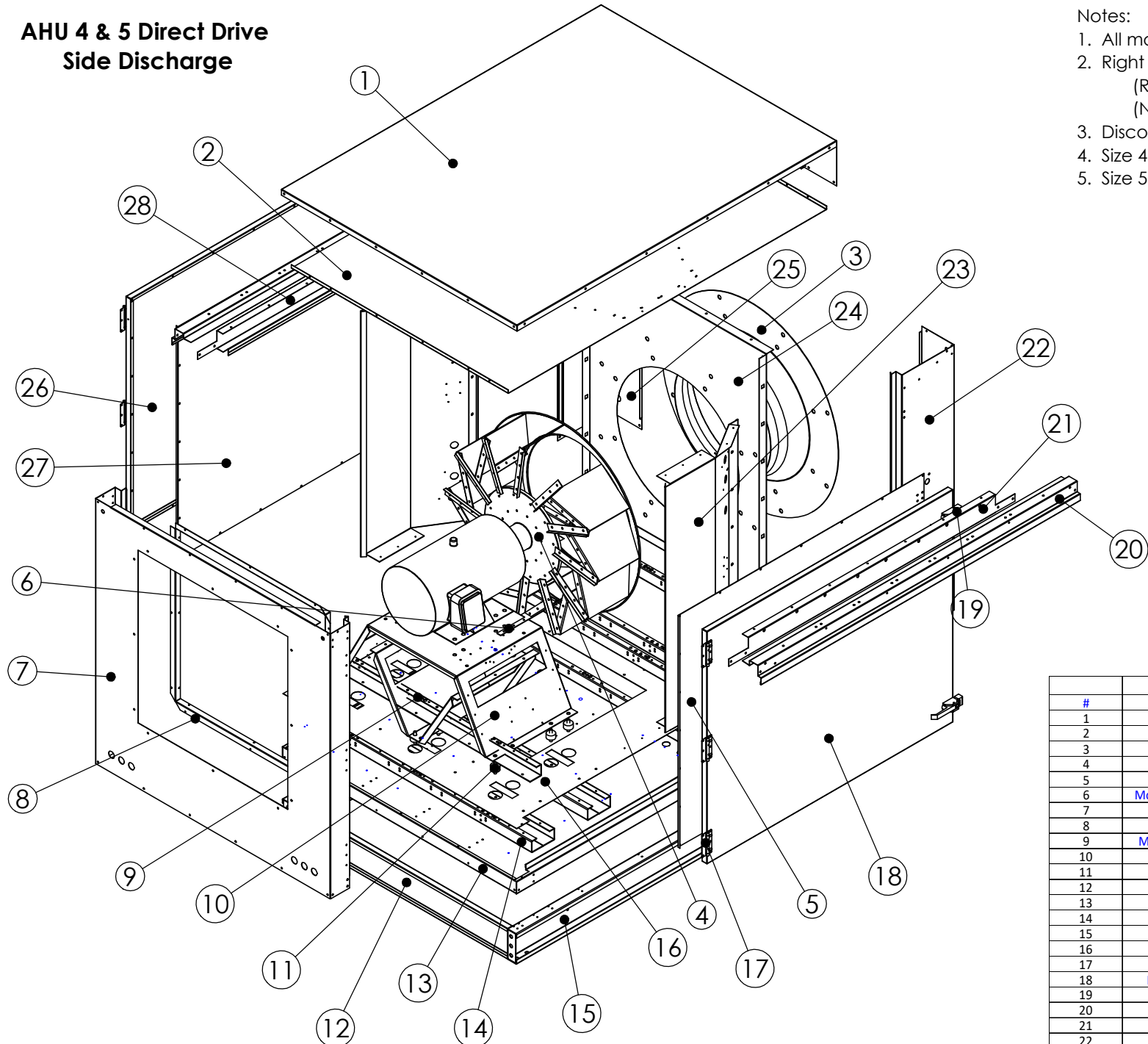


Notes:

1. All models use 4 MLIFTL lifting lugs
2. Right Front Post has multiple configurations
(RD) for Rotary Disconnect
(NS) for No Switch
3. Disconnect switch is dependent on motor load
4. Size 1 Up Discharge will use B1DDLIDSUP & B1ULLDUP
5. Size 2 Up Discharge will use B2LIDDUP & B2ULLDUP
6. Size 3 Up Discharge will use B3LIDDUP & B3ULLDUP

AHU 1-3 Down Discharge-Direct Drive							
#	Description	Size 1	Qty	Size 2	Qty	Size 3	Qty
1	Lid	B1DDLIDS	1	B2LIDD	1	B3LIDD	1
2	Lid Liner	B1ULLD	1	B2ULLD	1	B3ULLD	1
3	Venturi Plate	B1DDBAVP	1	B2DDBAVP	1	B3DDBAVP	1
4	Venturi	F5020015MUSBI	1	F5020020MUSBI	1	F5020024MUSBI	1
5	Venturi Plate Extension	B1VPE	1	B2VPE	1	B3VPE	1
6	Right Front Post	B1RTFPH	1	B2RTFPH	1	B3RTFPH	1
7	Door Latch	A7-10-351-20	2	A7-10-351-20	4	A7-10-351-20	4
8	Right Door Hinged	B1DOORRH	1	B2DOORRH	1	B3DOORRH	1
9	Door Liner	B1DORLH	2	B2DORLH	2	B3DORLH	2
10	Door Hinge	HG-OTA100	4	HG-OTA100	4	HG-OTA100	4
11	Main Rail	ME12MR	2	B2MNRL	2	B3MNRL	2
12	Horizontal Support	M1HSUP	3	M2HSUP	3	M3HSUP	3
13	Bottom	B1DDBTH	1	B2DDBTH	1	B3DDBTH	1
14	Isolator	800113-D80	6	800113-D80	6	800113-D80	6
15	End Flashing	M1EFLS	2	M2EFLS	2	M3EFLS	2
16	Bottom Liner	B1DDDDL	1	B2DDDDL	1	B3DDDDL	1
17	Motor Mount Support	B1DDMMS	1	B2DDMMS	1	B3DDMMS	1
18	Motor Mount	B1DDMM	1	B2DDMM	1	B3DDMM	1
19	Down Discharge Cap	B1G10DCPS	2	B2G15DCPS	2	B3G18DCPS	2
20	Back	B1DDBKH	1	B2DDBKH	1	B3DDBKH	1
21	Motor Positioning Plate	BMPP	2	BMPP	2	BMPP	2
22	Fan	Varies	1	Varies	1	Varies	1
23	Left Door Hinged	B1DOORLH	1	B2DOORLH	1	B3DOORLH	1
24	Drip Rail	B1DPRL	2	B2DPRL	2	B3DPRL	2
25	Top Door Support Hinged	B1TDSH	2	B2TDSH	2	B3TDSH	2
26	Left Front Post	B1LTFPH	1	B2LTFPH	1	B3LTFPH	1
27	Wheel Guard	B1DDWVG	1	B2DDWVG	1	B3DDWVG	1

AHU 4 & 5 Direct Drive Side Discharge

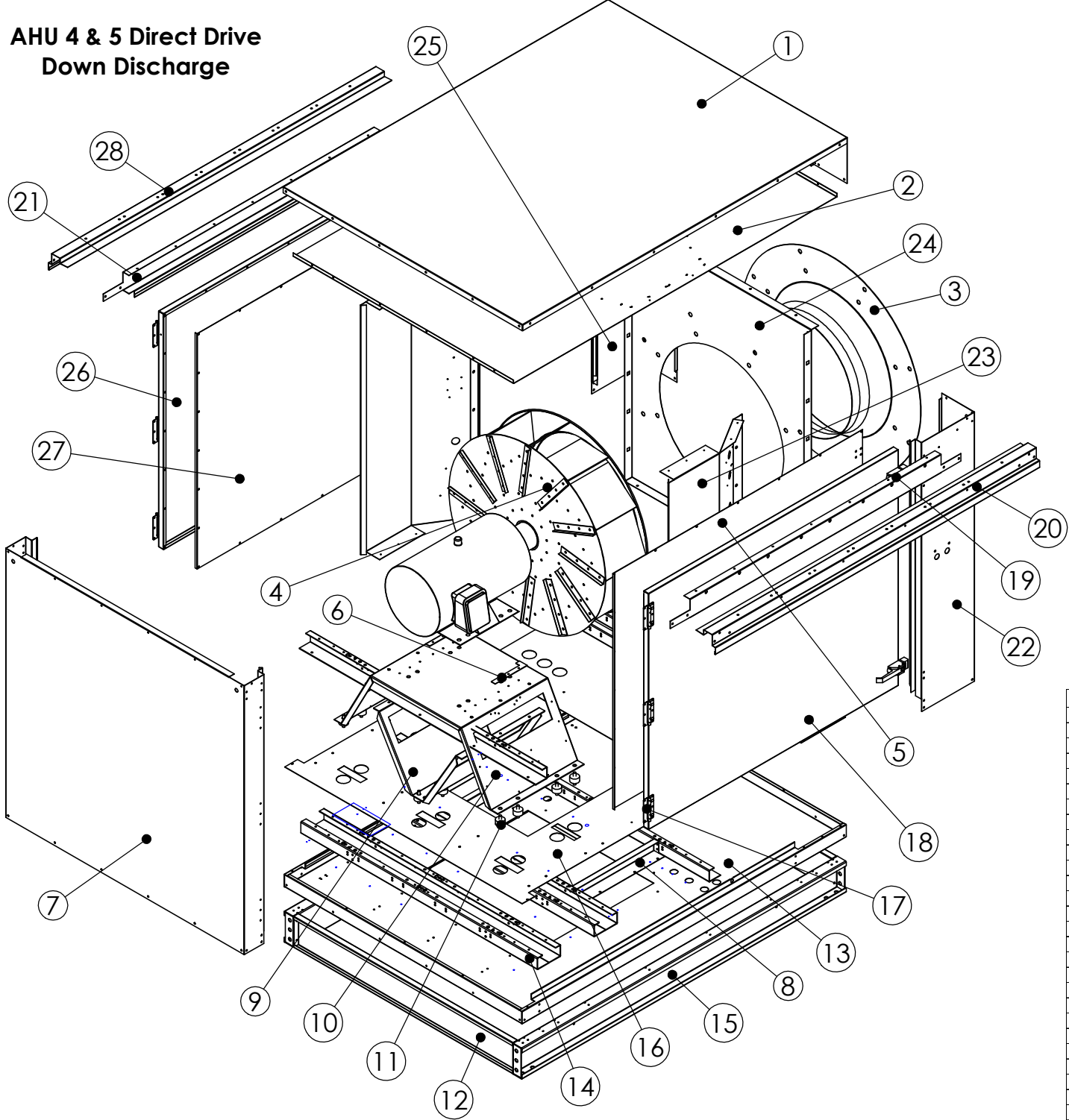


Notes:

1. All models use 4 MLIFTL lifting lugs
2. Right Front Post has multiple configurations (RD) for Rotary Disconnect (NS) for No Switch
3. Disconnect switch is dependent on motor load
4. Size 4 Up Discharge will use B4LIDDUP & B4ULLDUP
5. Size 5 Up Discharge will use B5LIDDUP & B5ULLDUP

AHU 4-5 Side Discharge- Direct Drive					
#	Description	Size 4	Qty	Size 5	Qty
1	Lid	B4LIDD	1	B5LIDD	1
2	Lid Liner	B4ULLD	1	B5ULLD	1
3	Venturi	F5020030MUSBI	1	F5020036MUSBI	1
4	Fan	VARIABLES	1	VARIABLES	1
5	Door Liner- Right	B4DORLH	1	B5DORRLH	2
6	Motor Positioning Plate	BMPP	2	BMPP	2
7	Back	B4SDBKHDD	1	B5SDBKHDD	2
8	Discharge Collar	B4DDC	2	B5DDC	2
9	Motor Mount Support	B4DDMMS	1	B5DDMMS	1
10	Motor Mount	B4DDMM	1	B5DDMM	1
11	Isolator	800113-D80	12	800113-D80	12
12	End Flashing	M4EFLS	2	M5EFLS	2
13	Bottom	B4SDBTH	1	B5SDBT	1
14	Horizontal Support	M4HSUP	5	M5HSUP	5
15	Main Rail	B4MNRL	2	B5MNRL	2
16	Bottom Liner	B4DDDDL	1	B5DDDDL	1
17	Door Hinge	HG-OTA100	6	HG-OTA100	12
18	Hinged Door- Right	B4DOORRH	1	B5DOORRH	2
19	Door Latches	A7-10-351-20	4	A7-10-351-20	4
20	Drip Rail- Right	B4DPRLH	1	B5DPRLFH	1
21	Top Door Support	B4TDSH	2	B5TDSH	2
22	Right Front Post	B4RTFPH	1	B5RTFPH	1
23	Venturi Plate Extension	B4VPE	2	B5VPE	2
24	Venturi Plate	B4DDBAVP	1	B5DDBAVP	1
25	Left Front Post	B4LTFPH	1	B5LTFPH	1
26	Hinged Door-Left	B4DOORLH	1	B5DOORLH	2
27	Door Liner- Left	B4DORLH	1	B5DORLLH	2
Not Shown	Bottom Side Right	N/A	N/A	B5BSIDFH	1
Not Shown	Bottom Side Left	N/A	N/A	B5BSIDBH	1
28	Drip Rail- Left	B4DPRLH	1	B5DPRLBH	1
Not Shown	Lid Support	M4LSUP	1	M5LSUP	1

AHU 4 & 5 Direct Drive Down Discharge



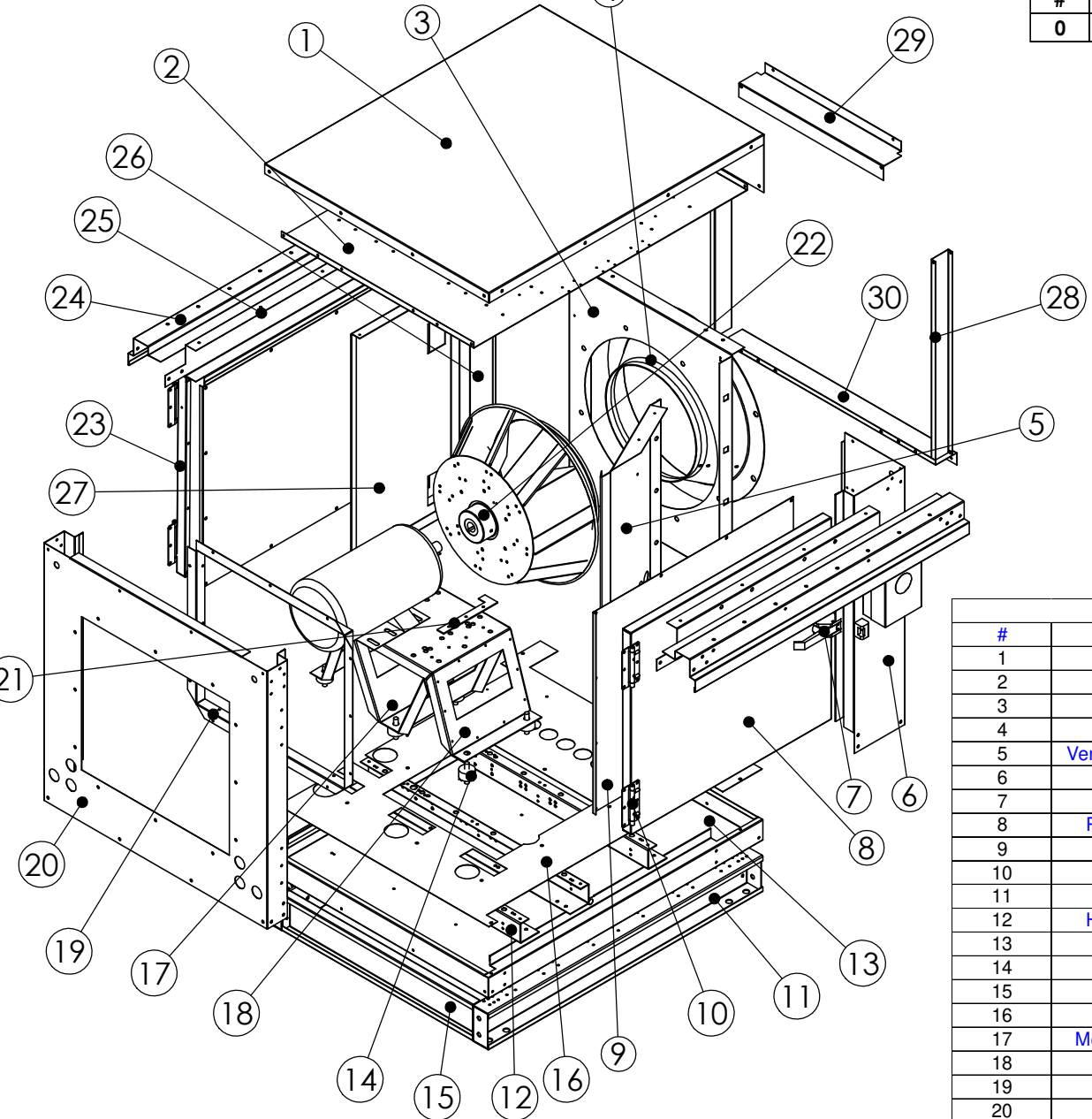
Notes:

1. All models use 4 MLIFTL lifting lugs
2. Right Front Post has multiple configurations
(RD) for Rotary Disconnect
(NS) for No Switch
3. Disconnect switch is dependent on motor load
4. Size 4 Up Discharge will use B4LIDDUP & B4ULLDUP
5. Size 5 Up Discharge will use B5LIDDUP & B5ULLDUP

AHU 4-5 Down Discharge- Direct Drive					
#	Description	Size 4	Qty	Size 5	Qty
1	Lid	B4LIDD	1	B5LIDD	1
2	Lid Liner	B4ULLD	1	B5ULLD	1
3	Venturi	F5020030MUSBI	1	F5020036MUSBI	1
4	Fan	VARIES	1	VARIES	1
5	Door Liner- Right	B4DORLH	1	B5DORRLH	2
6	Motor Positioning Plate	BMPP	2	BMPP	2
7	Back	B4DDBKH	1	B5DDBKH	1
8	Down Discharge Cap	B4DDBS	2	B5DDBS	2
9	Motor Mount Support	B4DDMMS	1	B5DDMMS	1
10	Motor Mount	B4DDMM	1	B5DDMM	1
11	Isolator	800113-D80	12	800113-D80	12
12	End Flashing	M4EFLS	2	M5EFLS	2
13	Bottom	B4DDBTH	1	B5DDBTH	1
14	Horizontal Support	M4HSUP	5	M5HSUP	5
15	Main Rail	B4MNRL	2	B5MNRL	2
16	Bottom Liner	B4DDDDL	1	B5DDDDL	1
17	Door Hinge	HG-OTA100	6	HG-OTA100	12
18	Hinged Door- Right	B4DOORRH	1	B5DOORRH	2
19	Door Latches	A7-10-351-20	4	A7-10-351-20	4
20	Drip Rail- Right	B4DPRRH	1	B5DPRRH	1
21	Top Door Support	B4TDSH	2	B5TDSH	2
22	Right Front Post	B4RTFPH	1	B5RTFPH	1
23	Venturi Plate Extension	B4VPE	2	B5VPE	2
24	Venturi Plate	B4DDBAVP	1	B5DDBAVP	1
25	Left Front Post	B4LTFPH	1	B5LTFPH	1
26	Hinged Door-Left	B4DOORLH	1	B5DOORLH	2
27	Door Liner- Left	B4DORLH	1	B5DORLLH	2
Not Shown	Bottom Side Right	N/A	N/A	B5BSIDBH	1
Not Shown	Bottom Side Left	N/A	N/A	B5BSIDBH	1
28	Drip Rail- Left	B4DPRRH	1	B5DPRRLH	1
Not Shown	Lid Support	M4LSUP	1	M5LSUP	1

INLINE- Direct Drive Exploded View

Revision History				
#	Description	Revised by	ECN#	Date
0	Updates for Direct Drive Mods	PEM	2795	11/8/16



Filter Information	
Blower	Filter Size
15"	(1) 16IN x 20IN
20"	(1) 20IN x 25IN
24"	(2) 20IN x 25IN

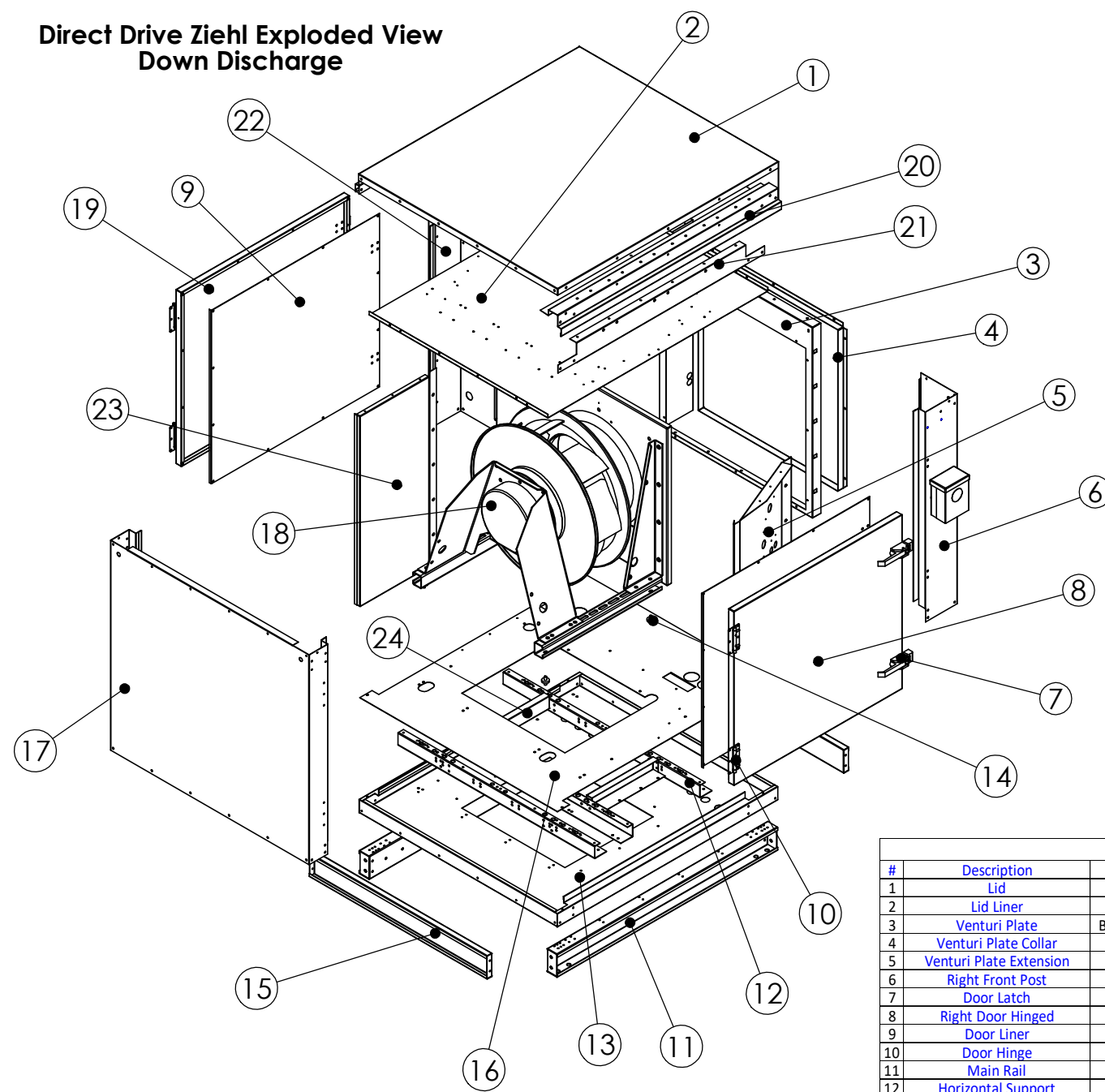
- Notes:
- 1) Lifting Lugs = M1LIFTL (4 Required)
 - 2) Right Front Post has multiple configurations for various disconnect switches.
(RD) for rotary disconnect
(NS) for no switch
 - 3) Disconnect switch is dependent on motor load.
 - 4) All Units are insulated.

AHU 1-3 Inline - Direct Drive							
#	Description	Size 1	Qty	Size 2	Qty	Size 3	Qty
1	Lid	B1DDLIDS	1	B2LIDD	1	B3LIDD	1
2	Lid Liner	B1ULLD	1	B2ULLD	1	B3ULLD	1
3	Venturi Plate	B1DDBAVP	1	B2DDBAVP	1	B3DDBAVP	1
4	Venturi	F5020015MUSBI	1	F5020020MUSBI	1	F5020024MUSBI	1
5	Venturi Plate Extension	B1VPE	1	B2VPE	1	B3VPE	1
6	Right Front Post	B1RTFPH	1	B2RTFPH	1	B3RTFPH	1
7	Door Latch	A7-10-351-20	2	A7-10-351-20	4	A7-10-351-20	4
8	Right Door Hinged	B1DOORRH	1	B2DOORRH	1	B3DOORRH	1
9	Door Liner	B2DORLH	2	B2DORLH	2	B3DORLH	2
10	Door Hinge	HG-OTA100	4	HG-OTA100	4	HG-OTA100	4
11	Main Rail	ME12MR	2	B2MNRL	2	B3MNRL	2
12	Horizontal Support	M1HSUP	3	M2HSUP	3	M3HSUP	3
13	Bottom	B1SDBTH	1	B2SDBTH	1	B3SDBTH	1
14	Isolator	800113-D80	6	800113-D80	6	800113-D80	6
15	End Flashing	M1EFLS	2	M2ELFS	2	M3EFLS	2
16	Bottom Liner	B1DDINL	1	B2DDINL	1	B3DDDDL	1
17	Motor Mount Support	B1DDMMS	1	B2DDMMS	1	B3DDMMS	1
18	Motor Mount	B1DDMM	1	B2DDMMS	1	B3DDMM	1
19	Discharge Collar	B1DDC	1	B2DDC	1	B3DDC	1
20	Back	B1SDBKHDD	1	B2SDBKHDD	1	B3SDBKHDD	1
21	Motor Positioning Plate	BMPP	2	BMPP	2	BMPP	2
22	Fan	Varies	1	Varies	1	Varies	1
23	Left Door Hinged	B1DOORLH	1	B2DOORLH	1	B3DOORLH	1
24	Drip Rail	B1DPRL	2	B2DPRL	2	B3DPRL	2
25	Top Door Support Hinged	B1TDSH	2	B2TDSH	2	B3TDSH	2
26	Left Front Post	B1LTFPH	1	B2LTFPH	1	B3LTFPH	1
27	Wheel Guard	B1DDWG	1	B2DDWG	1	B3DDWG	1
Not Shown	Filter Stop	N/A	N/A	B2NFSP	1	B3NFSP	1
28	Filter Side	B1NSID	2	B2NSID	2	N/A	N/A
29	Filter Top	B1NTOP	1	B2NTOP	1	B3NTOP	1
30	Filter Bottom	M12IBOT	1	M12IBOT	1	B3NBOT	1

Direct Drive Ziehl Exploded View Down Discharge

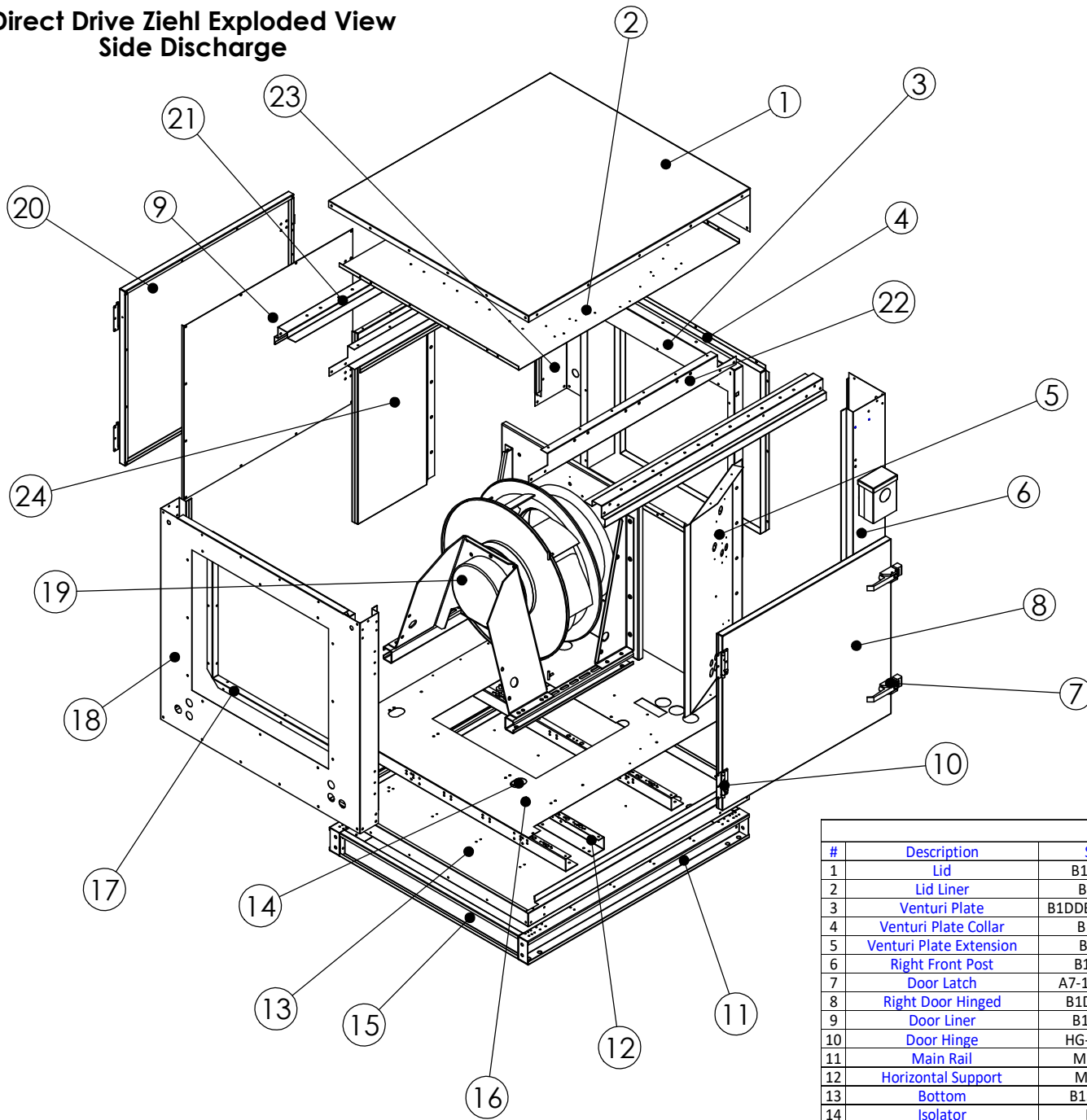
Notes:

1. All models use 4 MLIFTL lifting lugs
2. Right Front Post has multiple configurations (RD) for Rotary Disconnect (NS) for No Switch
3. Disconnect switch is dependent on motor load
4. Size 1 Up Discharge will use B1LIDDUP & B1ULLDUP
5. Size 2 Up Discharge will use B2LIDDUP & B2ULLDUP
6. Size 3 Up Discharge will use B3LIDDUP & B3ULLDUP
7. Size 4 Up Discharge will use B4LIDDUP & B4ULLDUP



AHU 1-4 Direct Drive Ziehl- Down Discharge									
#	Description	Size 1	Qty	Size 2	Qty	Size 3	Qty	Size 4	Qty
1	Lid	B1DDLIDS	1	B2LIDD	1	B3LIDD	1	B4LIDD	1
2	Lid Liner	B1ULLD	1	B2ULLD	1	B3ULLD	1	B4ULLD	1
3	Venturi Plate	B1DDBAVP1618Z	1	B2DDBAVP2022Z	1	B3DDBAVP25Z	1	B4DDBAVP28Z	1
4	Venturi Plate Collar	B1DDCZ	1	B2DDCZ	1	B3DDCZ	2	B4DDCZ	2
5	Venturi Plate Extension	B1VPEZ	1	B2VPE2022Z	1	B3VPE25Z	1	B4VPE	2
6	Right Front Post	B1RTFPH	1	B2RTFPH	1	B3RTFPH	1	B4RTFPH	1
7	Door Latch	A7-10-351-19	2	A7-10-351-20	4	A7-10-351-20	4	A7-10-351-20	4
8	Right Door Hinged	B1DOORRH	1	B2DOORRH	1	B3DOORRH	1	B4DOORRH	1
9	Door Liner	B1DORLH	2	B2DORLH	2	B3DORLH	2	B4DORLH	2
10	Door Hinge	HG-OTA100	4	HG-OTA100	4	HG-OTA100	4	HG-OTA100	6
11	Main Rail	ME12MR	2	B2MNRL	2	B3MNRL	2	B4MNRL	2
12	Horizontal Support	M1HSUP	3	M2HSUP	3	M3HSUP	3	M4HSUP	3
13	Bottom	B1DDBTHZ	1	B2DDBTHZ	1	B3DDBTHZ	1	B4DDBTHZ	1
14	Isolator	L1VIB	4	L1VIB	4	L1VIB	4	L1VIB	4
15	End Flashing	M1EFLS	2	M2EFLS	2	M3EFLS	2	M4EFLS	2
16	Bottom Liner	B1DDDDLZ	1	B2DDDDLZ	1	B3DDDDLZ	1	B4DDDDLZ	1
17	Back	B1DDBKH	1	B2DDBKH	1	B3DDBKH	1	B4DDBKH	1
18	Motor	Varies							
19	Left Door Hinged	B1DOORLH	1	B2DOORLH	1	B3DOORLH	1	B4DOORLH	1
20	Drip Rail	B1DPRL	2	B2DPRL	2	B3DPRL	2	B4DPRL	2
21	Top Door Support Hinged	B1TDSH	2	B2TDSH	2	B3TDSH	2	B4TDSH	2
22	Left Front Post	B1LTFPH	1	B2LTFPH	1	B3LTFPH	1	B4LTFPH	1
23	Wheel Guard	B1DDWGZ	1	B2DDWGZ	1	B3DDWGZ	1	N/A	N/A
24	Discharge Cap	B1G10DCPS	2	B2G15DCPS	2	B3G18DCPS	2	B4DDBS	2

Direct Drive Ziehl Exploded View Side Discharge

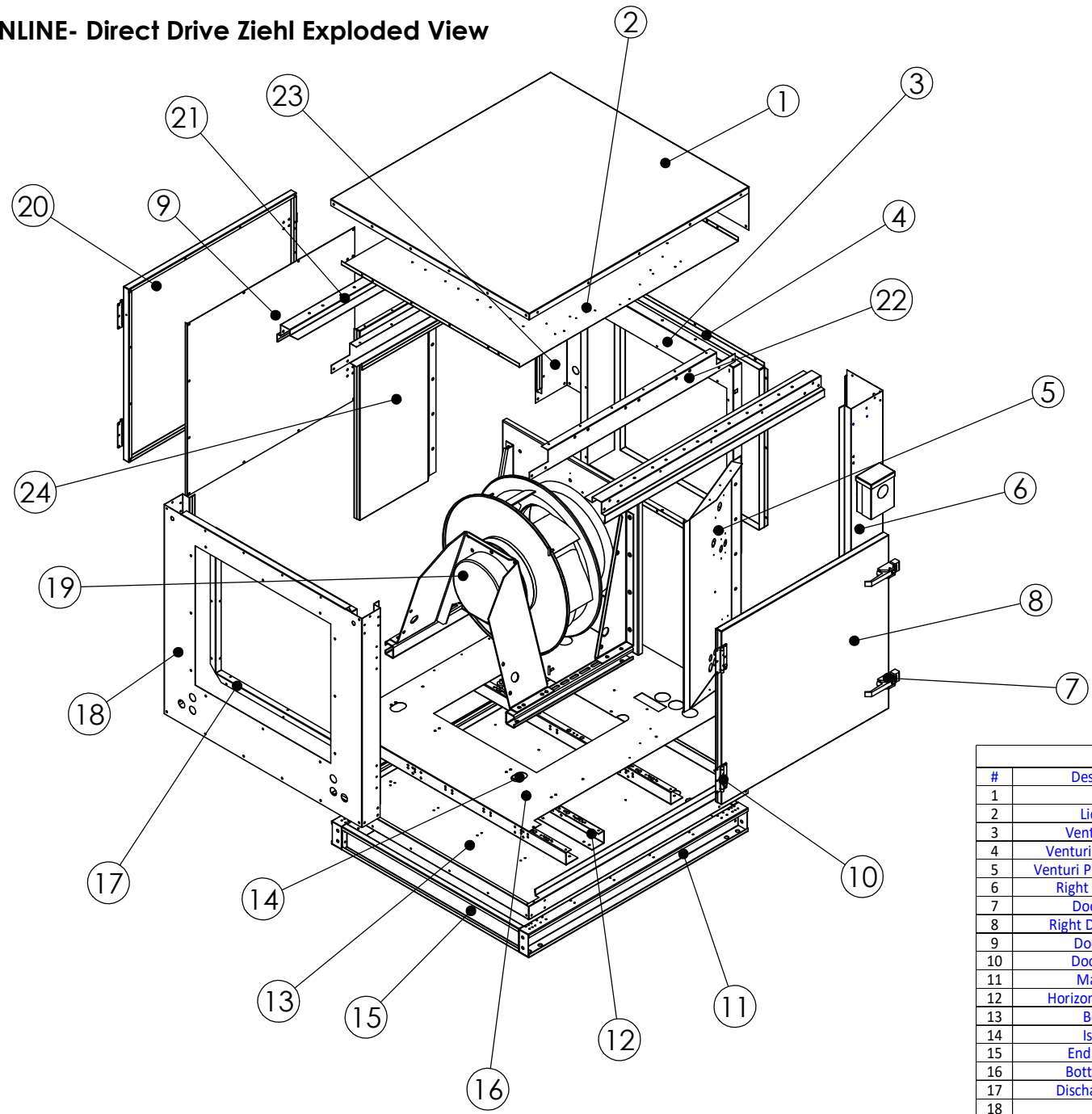


Notes:

1. All models use 4 MLIFTL lifting lugs
2. Right Front Post has multiple configurations
(RD) for Rotary Disconnect
(NS) for No Switch
3. Disconnect switch is dependent on motor load
4. Size 1 Up Discharge will use B1LIDDUP & B1ULLDUP
5. Size 2 Up Discharge will use B2LIDDUP & B2ULLDUP
6. Size 3 Up Discharge will use B3LIDDUP & B3ULLDUP
7. Size 4 Up Discharge will use B4LIDDUP & B4ULLDUP

AHU 1-4 Direct Drive Ziehl- Side Discharge									
#	Description	Size 1	Qty	Size 2	Qty	Size 3	Qty	Size 4	Qty
1	Lid	B1DDLIDS	1	B2LIDD	1	B3LIDD	1	B4LIDD	1
2	Lid Liner	B1ULLD	1	B2ULLD	1	B3ULLD	1	B4ULLD	1
3	Venturi Plate	B1DDBAVP1618Z	1	B2DDBAVP2022Z	1	B3DDBAVP25Z	1	B4DDBAVP28Z	1
4	Venturi Plate Collar	B1DDCZ	1	B2DDCZ	1	B3DDCZ	2	B4DDCZ	2
5	Venturi Plate Extension	B1VPEZ	1	B2VPE2022Z	1	B3VPE25Z	1	B4VPE	2
6	Right Front Post	B1RTFPH	1	B2RTFPH	1	B3RTFPH	1	B4RTFPH	1
7	Door Latch	A7-10-351-19	2	A7-10-351-20	4	A7-10-351-20	4	A7-10-351-20	4
8	Right Door Hinged	B1DOORRH	1	B2DOORRH	1	B3DOORRH	1	B4DOORRH	1
9	Door Liner	B1DORLH	2	B2DORLH	2	B3DORLH	2	B4DORLH	2
10	Door Hinge	HG-OTA100	4	HG-OTA100	4	HG-OTA100	4	HG-OTA100	6
11	Main Rail	ME12MR	2	B2MNRL	2	B3MNRL	2	B4MNRL	2
12	Horizontal Support	M1HSUP	2	M2HSUP	2	M3HSUP	2	M4HSUP	3
13	Bottom	B1SDBTHZ	1	B2SDBTHZ	1	B3SDBTHZ	1	B4SDBTHZ	1
14	Isolator	L1VIB	4	L1VIB	4	L1VIB	4	L1VIB	4
15	End Flashing	M1EFLS	2	M2EFLS	2	M3EFLS	2	M4EFLS	2
16	Bottom Liner	B1DDDDLZ	1	B2DDDDLZ	1	B3DDDDLZ	1	B4DDDDLZ	1
17	Discharge Collar	B1DDC	1	B2DDC	1	B3DDC	1	B4DDC	2
18	Back	B1SDBKHDD	1	B2SDBKHDD	1	B3SDBKHDD	1	B4SDBKHDD	1
19	Motor	Varies							
20	Left Door Hinged	B1DOORLH	1	B2DOORLH	1	B3DOORLH	1	B4DOORLH	1
21	Drip Rail	B1DPRL	2	B2DPRL	2	B3DPRL	2	B4DPRL	2
22	Top Door Support Hinged	B1TDSH	2	B2TDSH	2	B3TDSH	2	B4TDSH	2
23	Left Front Post	B1LTFPH	1	B2LTFPH	1	B3LTFPH	1	B4LTFPH	1
24	Wheel Guard	B1DDWGZ	1	B2DDWGZ	1	B3DDWGZ	1	N/A	N/A

INLINE- Direct Drive Ziehl Exploded View



Filter Information	
Blower	Filter Size
15"	(1) 16IN x 20IN
20"	(1) 20IN x 25IN
24"	(2) 20IN x 25IN

- Notes:
- 1) Lifting Lugs = M1LIFTL (4 Required)
 - 2) Right Front Post has multiple configurations for various disconnect switches.
(RD) for rotary disconnect
(NS) for no switch
 - 3) Disconnect switch is dependent on motor load.
 - 4) All Units are insulated.

AHU 1-4 Direct Drive Ziehl- Inline							
#	Description	Size 1	Qty	Size 2	Qty	Size 3	Qty
1	Lid	B1DDLIDS	1	B2LIDD	1	B3LIDD	1
2	Lid Liner	B1ULLD	1	B2ULLD	1	B3ULLD	1
3	Venturi Plate	B1DDBAVP1618Z	1	B2DDBAVP2022Z	1	B3DDBAVP25Z	1
4	Venturi Plate Collar	B1DDCZ	1	B2DDCZ	1	B3DDCZ	2
5	Venturi Plate Extension	B1VPEZ	1	B2VPE2022Z	1	B3VPE25Z	1
6	Right Front Post	B1RTFPH	1	B2RTFPH	1	B3RTFPH	1
7	Door Latch	A7-10-351-19	2	A7-10-351-20	4	A7-10-351-20	4
8	Right Door Hinged	B1DOORRH	1	B2DOORRH	1	B3DOORRH	1
9	Door Liner	B1DORLH	2	B2DORLH	2	B3DORLH	2
10	Door Hinge	HG-OTA100	4	HG-OTA100	4	HG-OTA100	4
11	Main Rail	ME12MR	2	B2MNRL	2	B3MNRL	2
12	Horizontal Support	M1HSUP	2	M2HSUP	2	M3HSUP	2
13	Bottom	B1SDBTHZ	1	B2SDBTHZ	1	B3SDBTHZ	1
14	Isolator	L1VIB	4	L1VIB	4	L1VIB	4
15	End Flashing	M1EFLS	2	M2EFLS	2	M3EFLS	2
16	Bottom Liner	B1DDINLZ	1	B2DDINLZ	1	B3DDDDLZ	1
17	Discharge Collar	B1DDC	1	B2DDC	1	B3DDC	1
18	Back	B1SDBKHDD	1	B2SDBKHDD	1	B3SDBKHDD	1
19	Motor	Varies					
20	Left Door Hinged	B1DOORLH	1	B2DOORLH	1	B3DOORLH	1
21	Drip Rail	B1DPRL	2	B2DPRL	2	B3DPRL	2
22	Top Door Support Hinged	B1TDSH	2	B2TDSH	2	B3TDSH	2
23	Left Front Post	B1LTFPH	1	B2LTFPH	1	B3LTFPH	1
24	Wheel Guard	B1DDWGZ	1	B2DDWGZ	1	B3DDWGZ	1
N/A	Filter Stop	N/A	N/A	B2NFSP	1	B3NFSP	1
N/A	Filter Side	B1NSID	2	B2NSID	2	N/A	N/A
N/A	Filter Top	B1NTOP	1	B2NTOP	1	B3NTOP	1
N/A	Filter Bottom	M12IBOT	1	M12IBOT	1	B3NBOT	1